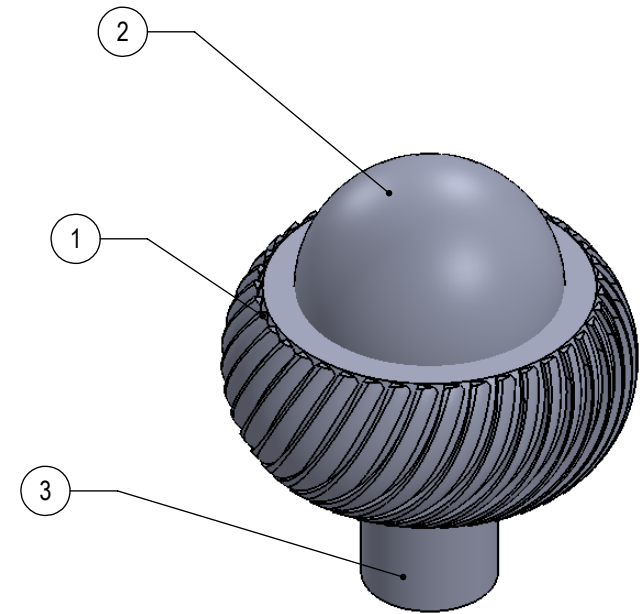
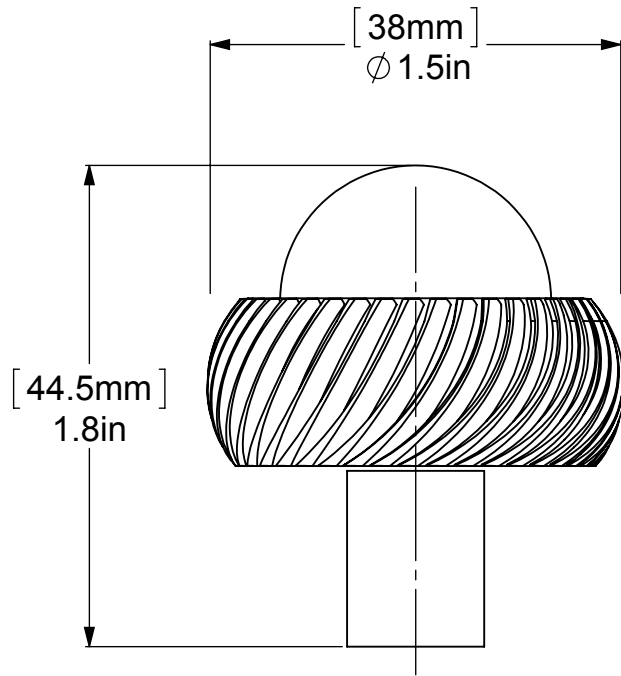
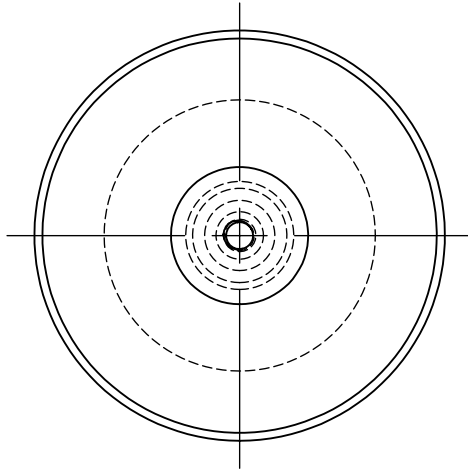


| ITEM NO. | PART NUMBER | DESCRIPTION | QTY. |
|----------|-------------|-------------|------|
| 1 | RGTW | HUB | 1 |
| 2 | CAHR-1 | CAP | 1 |
| 3 | PSRD8-12 | BASE TUBE | 1 |

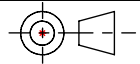


APPROVED FOR PRODUCTION
 By: RICHARD PAUL
 Date: 6-2-2021

UNLESS OTHERWISE STATED

| | |
|------|---------|
| .X | ±.3mm |
| .XX | ±.15mm |
| .XXX | ±.008mm |

COPYRIGHT © Allied Brass 2021



THIRD ANGLE PROJECTION

| | | |
|----------|---------|-----|
| DRAWN | 5-28-21 | I.M |
| CHECKED | 5-28-21 | P.D |
| APPROVED | 5-28-21 | R.A |

| | |
|--------------|-------------------------|
| MATERIAL: | BRASS |
| DESCRIPTION: | 1-1/2 Inch Cabinet Knob |
| | |

| | |
|-------------|-------|
| FINISH | TBD |
| QUANTITY | TBD |
| DRAWING No. | 101AT |
| REV | 0 |
| SCALE | 1:0.7 |
| SHEET: 01 | A4 |